

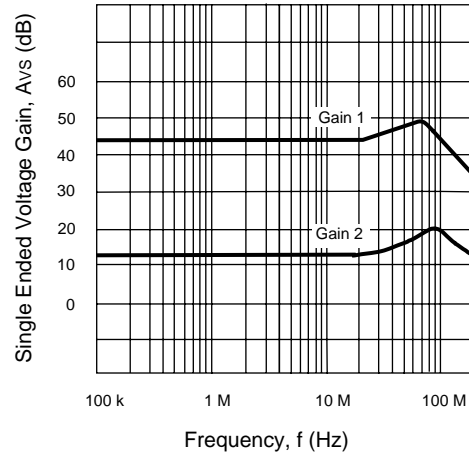
FEATURES

- **BANDWIDTH AND TYPICAL GAIN**
120 MHz at $A_{VOL} = 300$
170 MHz at $A_{VOL} = 100$
700 MHz at $A_{VOL} = 10$
- **VERY SMALL PHASE DELAY**
- **GAIN ADJUSTABLE FROM 10 TO 300**
- **NO FREQUENCY COMPENSATION REQUIRED**

DESCRIPTION

The UPC1663G is a video amplifier with differential input and output stages. A high frequency process ($f_T = 6$ GHz) improves AC performance compared with industry-standard video amplifiers. This device is excellent as a sense amplifier for high-density CCDs, as a video or pulse amplifier in high-resolution displays, and in communications equipment.

**SINGLE ENDED VOLTAGE GAIN
vs. FREQUENCY**



ELECTRICAL CHARACTERISTICS (TA = 25°C, VCC = ±6 V, Rs = 50 Ω, f = 10 MHz)

PART NUMBER PACKAGE OUTLINE			UPC1663G G08		
SYMBOLS	PARAMETERS AND CONDITIONS	UNITS	MIN	TYP	MAX
I _{CC}	Power Supply Current	mA		13	20
A _{vD}	Differential Voltage Gain: Gain ¹ Gain ²		200 8	320 10	500 12
BW	Bandwidth (Gain is 3 dB down from the gain at 100 KHz)	Gain ¹ Gain ²		120 700	
t _R	Rise Time, V _{OUT} = 1V _{p-p} :	Gain ¹ Gain ²		2.9 2.7	
t _{pd}	Propagation Delay, V _{OUT} = 1 V _{p-p} :	Gain ¹ Gain ²		2 1.2	
R _{IN}	Input Impedance:	Gain ¹ Gain ²		4.0 180	
C _{IN}	Input Capacitance	pF		2	
I _{IO}	Input Offset Current	μA		0.4	5.0
I _B	Input Bias Current	μA		20	40
V _N	Input Noise Voltage, 10 k to 10 MHz	μV _{r.m.s.}		3	
V _I	Input Voltage Range	V	±1.0		
CMRR	Common Mode Rejection Ratio, V _{cm} = ±1 V, f ≤ 100 kHz V _{cm} = ±1 V, f = 5 MHz	dB	55 53	70 60	
SVRR	Supply Voltage Rejection Ratio, ΔV = ±0.5 V	dB	50	70	
V _{O(off)}	Output Offset Voltage, V _{O(off)} = OUT1 - OUT2 Gain ¹ Gain ²	V		0.3 0.1	1.5 1.0
V _{O(CM)}	Output Common Mode Voltage	V	2.4	2.9	3.4
V _{OP-p}	Max. Output Voltage Swing, single-ended	V _{p-p}	3.0	4.0	
I _{sink}	Output Sink Current	mA	2.5	3.6	

Notes:

1. Gain select pins GA and GB are connected together.
2. All gain select pins are open.
3. Insert adjustment resistor (0 to 10 kΩ) between GA and GB when variable gain is necessary.

ABSOLUTE MAXIMUM RATINGS¹ (T_A = 25°C)

SYMBOLS	PARAMETERS	UNITS	RATINGS
V _C -V _E	Voltage between V _C and V _E	V	-0.3 to 14
P _T	Total Power Dissipation ²	mW	280
V _{ID}	Differential Input Voltage	V	±5
V _{IN}	Input Voltage	V	±6
I _O	Output Current	mA	35
T _{OP}	Operating Temperature	°C	-45 to +75
T _{STG}	Storage Temperature	°C	-55 to +150

Notes:

1. Operation in excess of any one of these parameters may result in permanent damage.
2. Mounted on 5 cm x 5 cm x 0.16 mm glass epoxy PCB (T_A = Max T_{OP}).
3. Mounted on 50 cm x 50 cm x 1.6 mm glass epoxy PCB with copper film (T_A = Max T_{OP}).

RECOMMENDED OPERATING CONDITIONS (T_A = 25°C)

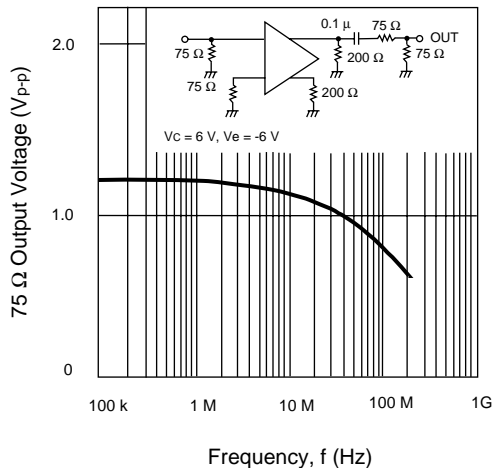
SYMBOLS	CHARACTERISTICS	UNITS	MIN	TYP	MAX
V _C	Positive Supply Voltage	V	+2	+6	+6.5
V _E	Negative Supply Voltage	V	-2	-6	-6.5
I _O source	Source Current	mA			20
I _O sink	Sink Current	mA			2.5
	Frequency Range	MHz	DC		200

Attention:

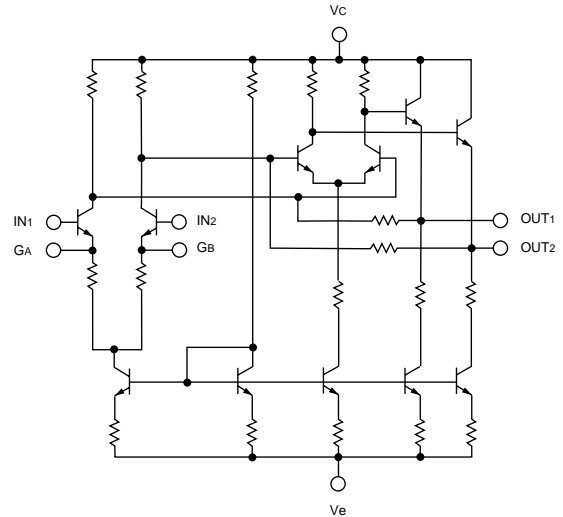
Due to high frequency characteristics, the physical circuit layout is very critical. Supply voltage line bypass, double-sided printed-circuit board, and wide-area ground line layout are necessary for stable operation. Two signal resistors connected to both inputs and two load resistors connected to both outputs should be balanced for stable operation.

TYPICAL PERFORMANCE CURVES (T_A = 25°C)

VIDEO LINE SINGLE ENDED OUTPUT VOLTAGE SWING vs. FREQUENCY



EQUIVALENT CIRCUIT

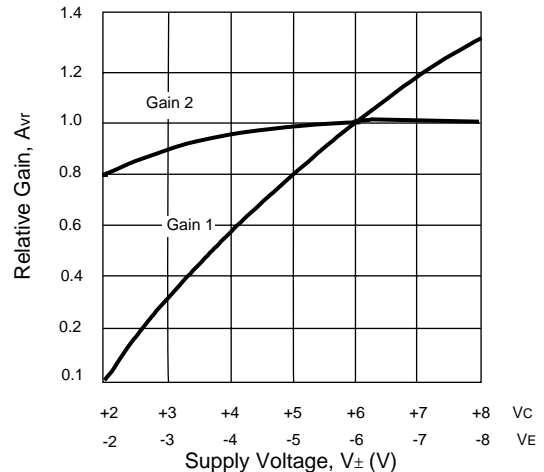


TYPICAL PERFORMANCE UNDER SINGLE SUPPLY +5 V OPERATION*

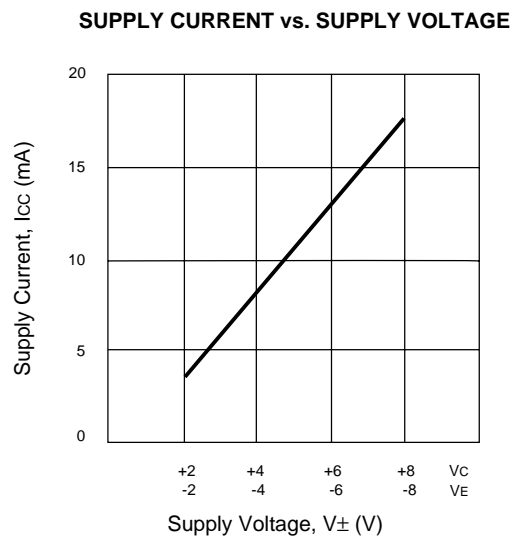
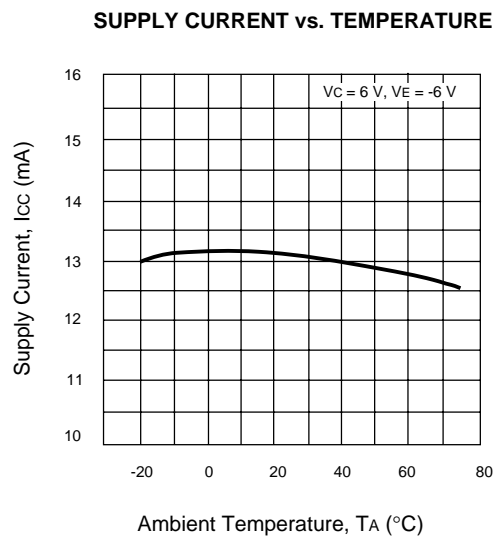
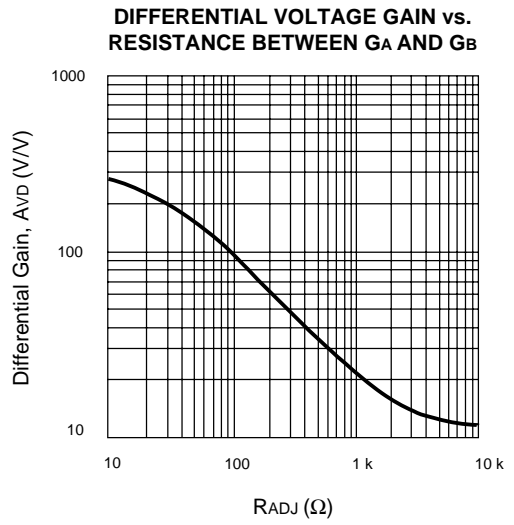
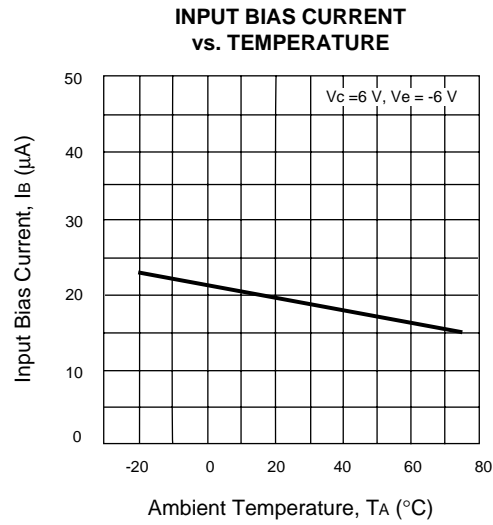
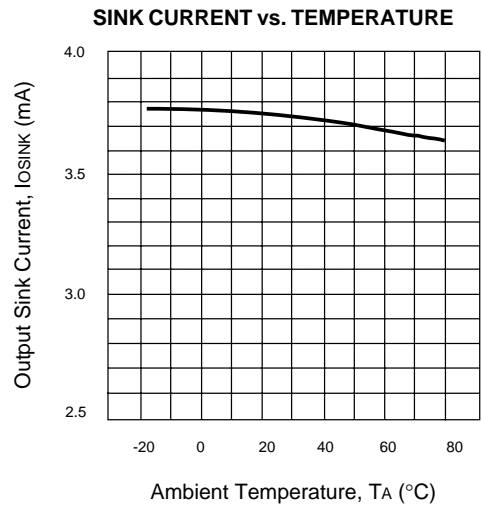
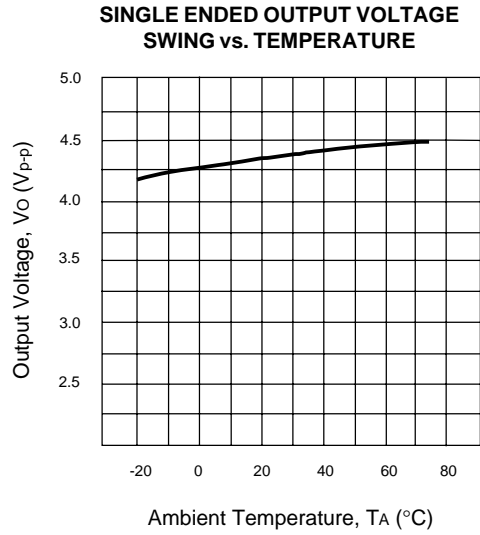
PARAMETER	CONDITIONS	TYPICAL	UNITS
Differential Gain	15 MHz		
Gain 1		35	dB
Gain 2		11	dB
Bandwidth	Gain is 3 dB down from the gain at 100 KHz		
Gain 1		106	MHz
Gain 2		115	MHz
Rise Time	R _S = 50 Ω, V _{OUT} = 80 mV _{p-p}		
Gain 1		2.2	ns
Propagation Delay			
Gain 1	R _S = 50 Ω, V _{OUT} = 80 mV _{p-p}	2.8	ns
Gain 2	R _S = 50 Ω, V _{OUT} = 60 mV _{p-p}	1.8	ns
Phase Shift	100 MHz		
Gain 1		-123	degree
Gain 2		-93	degree
Output Power	Z _L = 50 Ω, 15 MHz		
R _A = 240 Ω		5.0	dBm
R _A = 910 Ω		0	dBm
R _A = 80 Ω		-11.5	dBm

* See Application Circuit

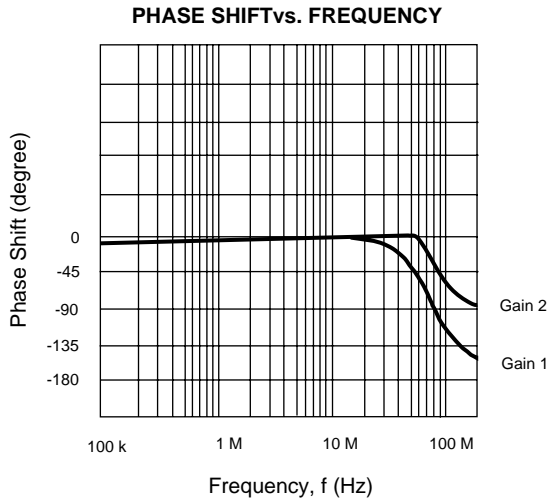
NORMALIZED VOLTAGE GAIN vs. SUPPLY VOLTAGE



TYPICAL PERFORMANCE CURVES ($T_A = 25^\circ\text{C}$)

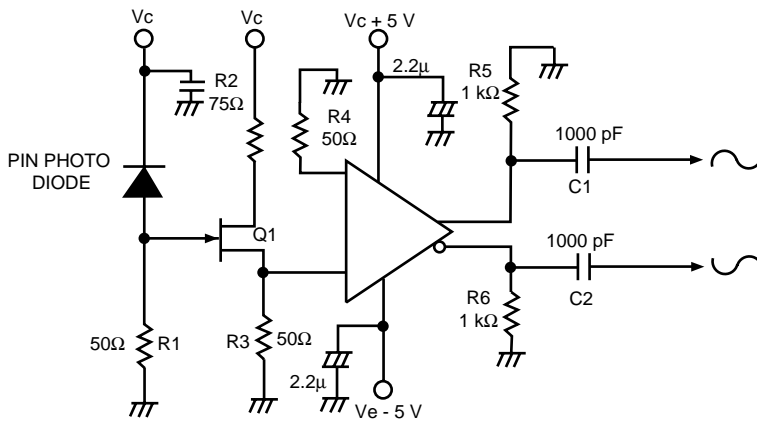


TYPICAL PERFORMANCE CURVES (T_A = 25°C)



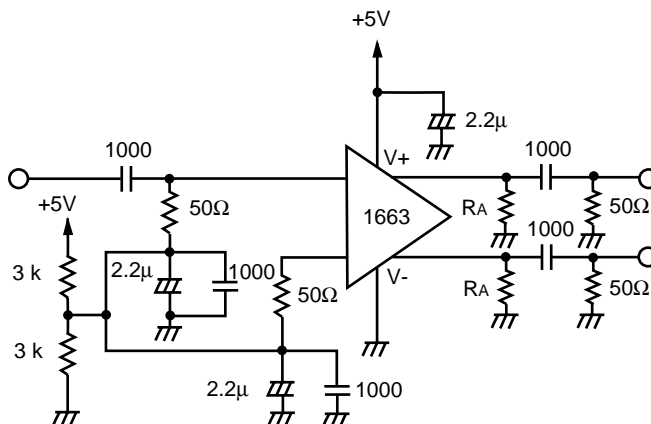
TYPICAL APPLICATIONS

• Photo Signal Detector

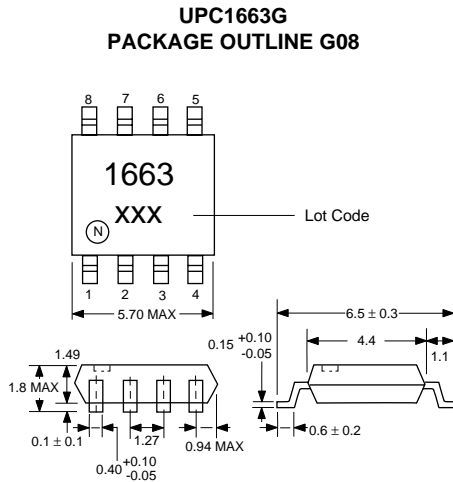


Since the input impedance of the IC falls when the gain rises, stable operation can be achieved by inserting a FET buffer when necessary as illustrated above.

• Application for +5 V Single Supply



OUTLINE DIMENSIONS (Units in mm)



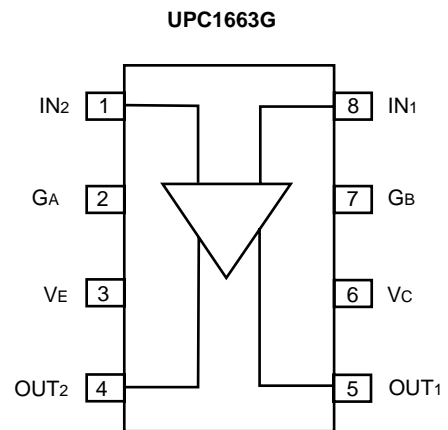
Notes:

1. Each lead centerline is located within 0.12 mm (0.005 inch) of its true position at maximum material condition.
2. All dimensions are typical unless otherwise specified.

ORDERING INFORMATION

PART NUMBER	QUANTITY
UPC1663G-E1	2500/Reel

CONNECTION DIAGRAM (TOP VIEW)



EXCLUSIVE NORTH AMERICAN AGENT FOR **NEC** RF, MICROWAVE & OPTOELECTRONIC SEMICONDUCTORS

CEL CALIFORNIA EASTERN LABORATORIES • Headquarters • 4590 Patrick Henry Drive • Santa Clara, CA 95054-1817 • (408) 988-3500 • Telex 34-6393 • FAX (408) 988-0279
24-Hour Fax-On-Demand: 800-390-3232 (U.S. and Canada only) • Internet: <http://WWW.CEL.COM>

DATA SUBJECT TO CHANGE WITHOUT NOTICE